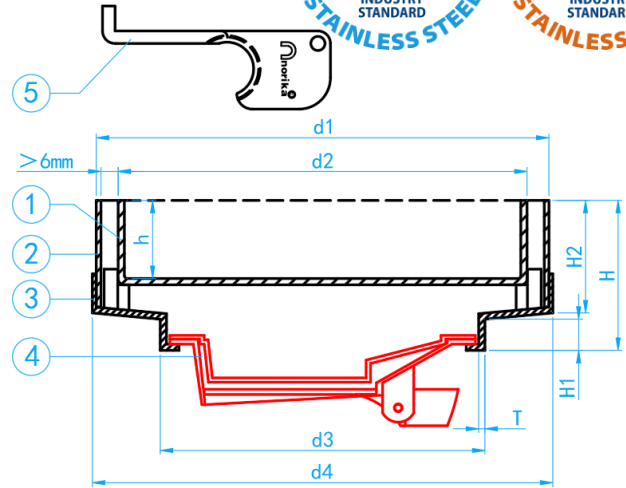


STAINLESS STEEL 304L/316L DECORATIVE SMARTDRAIN

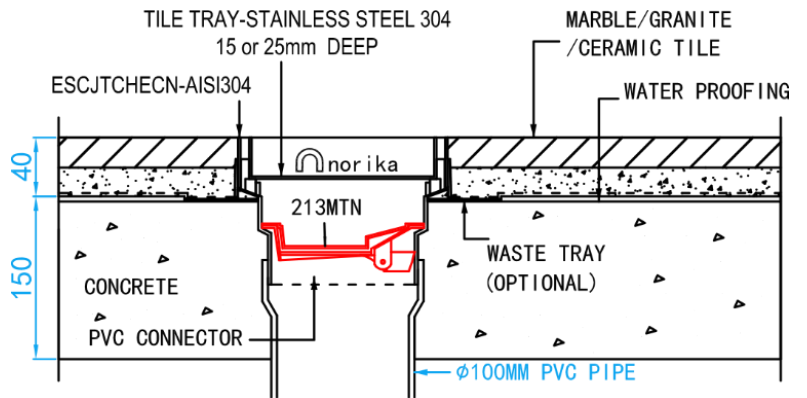
COMPLY WITH SS213:1998



CROSS SECTIONAL VIEW



INSTALLATION EFFECT



CHARACTERISTIC	
Main function	Drainage, sealing
Surface treatment	Hairline
Applications	Sleek and modern smartdrain for use in residential, hotels, apartments, office buildings. HDB. Villas

COMPONENT PARTS		
ITEM	PARTS	MATERIAL
1	Tray	AISI304L
2	Frame	AISI304L
3	Base	UPVC
4	Filter	UPVC (213MTNB)
5	Key	PBT

DIMENSIONS

SKU	Material	d1 (mm)	d2 (mm)	d3 (mm)	d4 (mm)	H (mm)	H1 (mm)	H2 (mm)	h (mm)	T (mm)	WEIGHT (Kg)	PCS/CTN
SMARTDRAIN150T	AISI304L	144	131	102.5	150	38	10	31	15.5	2	0.590	20
SMARTDRAIN150M						48		41	25.5		0.690	20
SMARTDRAIN150T316L	AISI316L	144	131	102.5	150	38	10	31	15.5	2	0.590	20
SMARTDRAIN150M316L						48		41	25.5		0.690	20